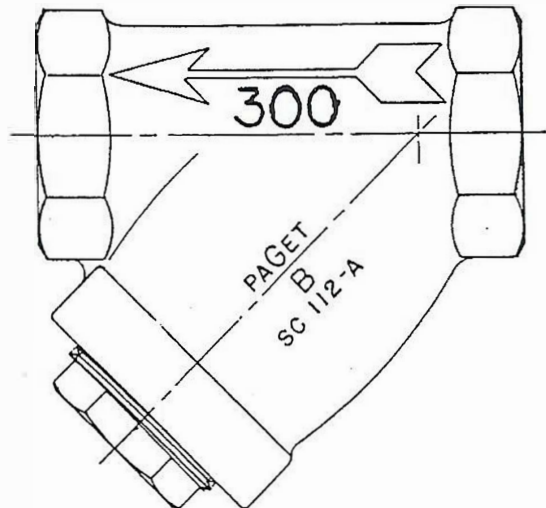


PAGET STYLE B 300# THREADED



RATINGS

NON-SHOCK

300 PSI STEAM AT 350 DEGREES F
400 PSI WATER-OIL-GAS AT 100 DEGREES F

W = WEIGHT

NPT SIZE	A	D	F	G	H	W
1/4	2-1/2	2	7/16	3/8	3/4	1
3/8	3-1/2	3	5/8	3/8	3/4	2
1/2	3-7/8	3	13/16	1/2	1	2.25
3/4	3-7/8	3	13/16	1/2	1	2.25
1	5	4	1-1/4	3/4	1-1/2	4.25
1-1/4	5-1/2	4-1/2	1-1/4	3/4	1-1/2	7
1-1/2	6	5	1-1/4	1	2	8.5
2	7-1/4	6-1/8	1-7/16	1	2-1/2	15
2-1/2	9	7-9/16	1-7/8	1-1/4	3	26

RECOMMENDED STANDARD SCREENS

.024" DIA PERF (OR 40 MESH)	STEAM, AIR OR GAS
1/32" DIA PERF (OR 20 MESH)	LIGHT OIL
3/64" DIA PERF	WATER SERVICE
1/16" DIA PERF	AIR CONDITIONING SIZES 1/4" TO 2"
1/8" DIA PERF	AIR CONDITIONING 2-1/2" SIZE

PERF SIZES .024" DIA TO .500" DIA
304 STAINLESS

MESH SIZES 20 - 325
304 STAINLESS

316 STAINLESS, BRASS AND MONEL
ARE ALSO AVAILABLE UPON REQUEST

PART NO.	PART NAME	MATERIAL
SC-112-A	BODY	FEDERALLOY
SC-112-B	BUSHING	NO-LEAD NAVAL BRASS
SC-112-C	SCREEN	304 STAINLESS STEEL



SELF-CLEANING STRAINER CO., INC.
44W480 KESLINGER ROAD
ELBURN IL 60119