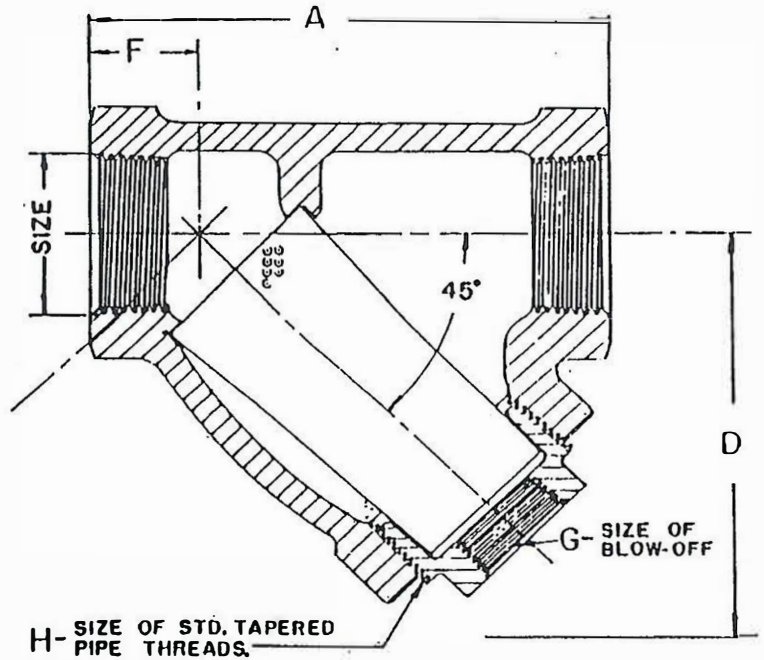
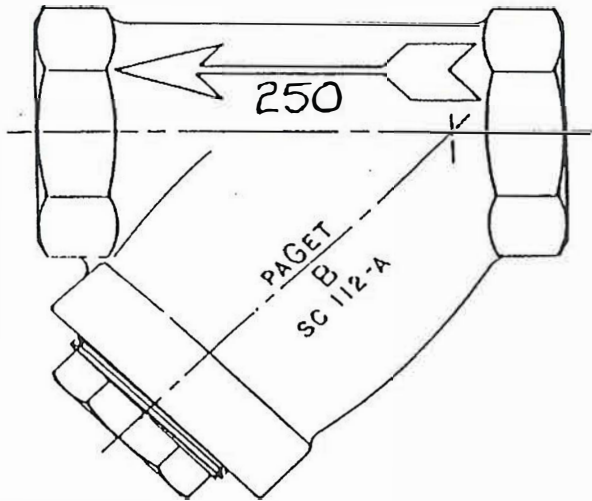


# PAGET STYLE B 250# THREADED

# DRWG. NO. P-SC-112-CI



W = WEIGHT

H- SIZE OF STD. TAPERED PIPE THREADS.

NPT SIZE	A	D	F	G	H	W
1/4	2-1/2	2	7/16	3/8	3/4	1
3/8	3-1/2	3	5/8	3/8	3/4	2
1/2	3-7/8	3	13/16	1/2	1	2.25
3/4	3-7/8	3	13/16	1/2	1	2.25
1	5	4	1-1/4	3/4	1-1/2	4.25
1-1/4	5-1/2	4-1/2	1-1/4	3/4	1-1/2	6.3
1-1/2	6	5	1-1/4	1	2	8.5
2	7-1/4	6-1/8	1-7/16	1	2-1/2	14.5
2-1/2	9	7-9/16	1-7/8	1-1/4	3	26

PART NO.	PART NAME	MATERIAL
SC-112-A	BODY	CAST IRON
SC-112-B	BUSHING	STEEL
SC-112-C	SCREEN	304 STAINLESS STEEL

### RATINGS

NON-SHOCK

250 PSI STEAM AT 450 DEGREES F.  
400 PSI WATER-OIL-GAS AT 100 DEGREES F

### RECOMMENDED STANDARD SCREENS

.024" DIA PERF (OR 40 MESH) STEAM, AIR OR GAS  
1/32" DIA PERF (OR 20 MESH) LIGHT OIL  
3/64" DIA PERF WATER SERVICE  
1/16" DIA PERF AIR CONDITIONING SIZES 1/2" TO 2"  
1/8" DIA PERF AIR CONDITIONING SIZE - 2-1/2"

PERF. SIZES .024" DIA TO .500" DIA  
304 STAINLESS

MESH SIZES 20 - 325  
304 STAINLESS

316 STAINLESS, BRASS AND MONEL  
ARE ALSO AVAILABLE UPON REQUEST



SELF-CLEANING STRAINER CO., INC.  
44W480 KESLINGER ROAD  
ELBURN IL 60119