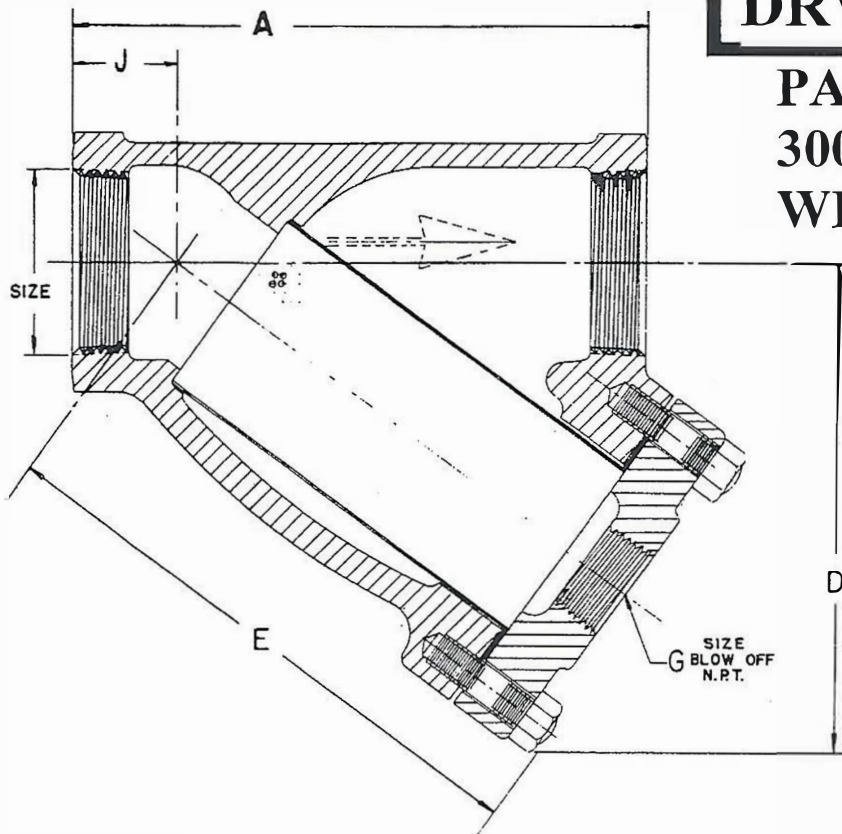


# DRWG. NO. P-SC-103-BZ

## PAGET STYLE C 300# THREADED WITH BOLTED COVER



### RATINGS

NON-SHOCK

300 PSI STEAM AT 350 DEGREES F  
400 PSI WATER-OIL-GAS AT 100 DEGREES F

W = WEIGHT

### RECOMMENDED STANDARD SCREENS

.024" DIA PERF (OR 40 MESH)	STEAM, AIR OR GAS
1/32" DIA PERF (OR 20 MESH)	LIGHT OIL
3/64" DIA PERF	WATER SERVICE
1/8" DIA PERF	AIR CONDITIONING

PERF SIZES .024" DIA TO .500" DIA  
304 STAINLESS

MESH SIZES 20 - 325  
304 STAINLESS

316 STAINLESS, BRASS AND MONEL  
ARE ALSO AVAILABLE UPON REQUEST

NPT SIZE	A	D	E	G	J	W
2	8	6-1/2	7	1	2-1/16	20
2-1/2	9	8	9-1/4	1	1-5/8	30
3	10	8-3/4	10-1/2	1-1/4	1-9/16	42

PART NO.	PART NAME	MATERIAL
SC-103A	BODY	FEDERALLOY
SC-103-B	COVER	NO LEAD NAVAL BRASS
SC-103-C	SCREEN	304 STAINLESS STEEL
SC-103-D	GASKET	NON-ASBESTOS
SC-103-E	STUDS	STEEL
SC-103-F	NUTS	STEEL HEAVY HEX



SELF-CLEANING STRAINER CO., INC.  
44W480 KESLINGER ROAD  
ELBURN IL 60119