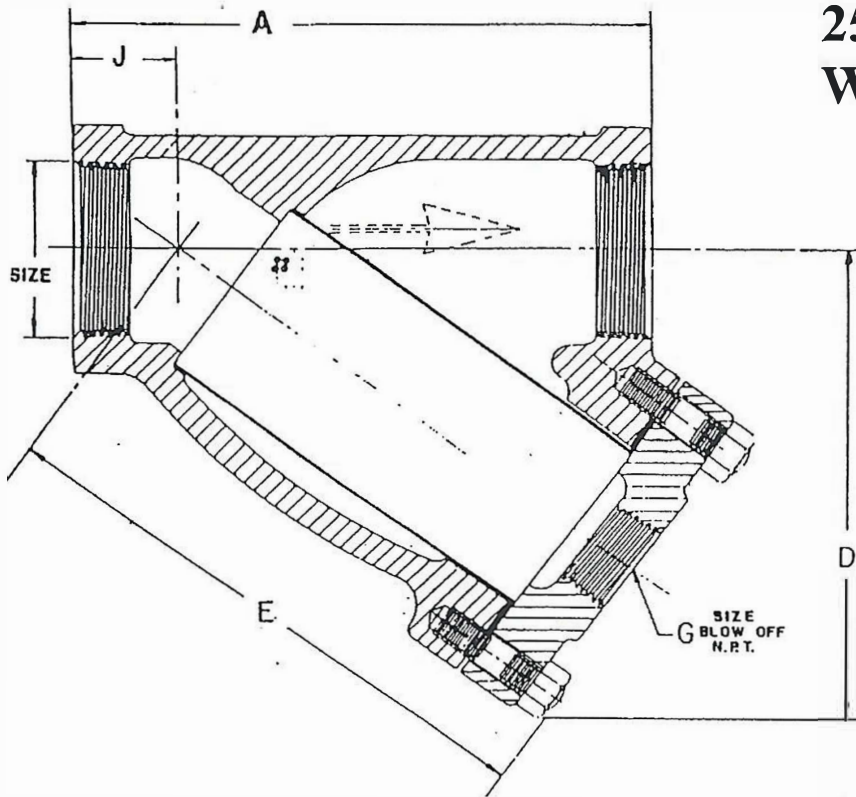


PAGET STYLE C 250# THREADED WITH BOLTED COVER



W = WEIGHT

RATINGS

NON-SHOCK

250 PSI STEAM AT 450 DEGREES F
400 PSI WATER-OIL-GAS AT 100 DEGREES F

RECOMMENDED STANDARD SCREENS

.024" DIA PERF (OR 40 MESH)	STEAM, AIR OR GAS
1/32" DIA PERF (OR 20 MESH)	LIGHT OIL
3/64" DIA PERF	WATER SERVICE
1/16" DIA PERF	AIR CONDITIONING 2" SIZE
1/8" DIA PERF	AIR CONDITIONING SIZES 2-1/2" TO 4"
PERF SIZES	.024" DIA TO .500" DIA 304 STAINLESS
MESH SIZES	20 - 325 304 STAINLESS

316 STAINLESS, BRASS AND MONEL
ARE ALSO AVAILABLE UPON REQUEST

NPT SIZE	A	D	E	G	J	W
2	8	6-1/2	7	1	2-1/16	19
2-1/2	9	8	9-1/4	1	1-5/8	28
3	10	8-3/4	10-1/2	1-1/4	1-9/16	40
4	14-1/4	11	14-1/2	1-1/4	1-7/16	100

PART NO.	PART NAME	MATERIAL
SC-103A	BODY	CAST IRON
SC-103-B	COVER	CAST IRON
SC-103-C	SCREEN	304 STAINLESS STEEL
SC-103-D	GASKET	NON-ASBESTOS
SC-103-E	STUDS	STEEL
SC-103-F	STUD NUTS	STEEL-HEAVY HEX



SELF-CLEANING STRAINER CO., INC.
44W480 KESLINGER ROAD
ELBURN IL 60119