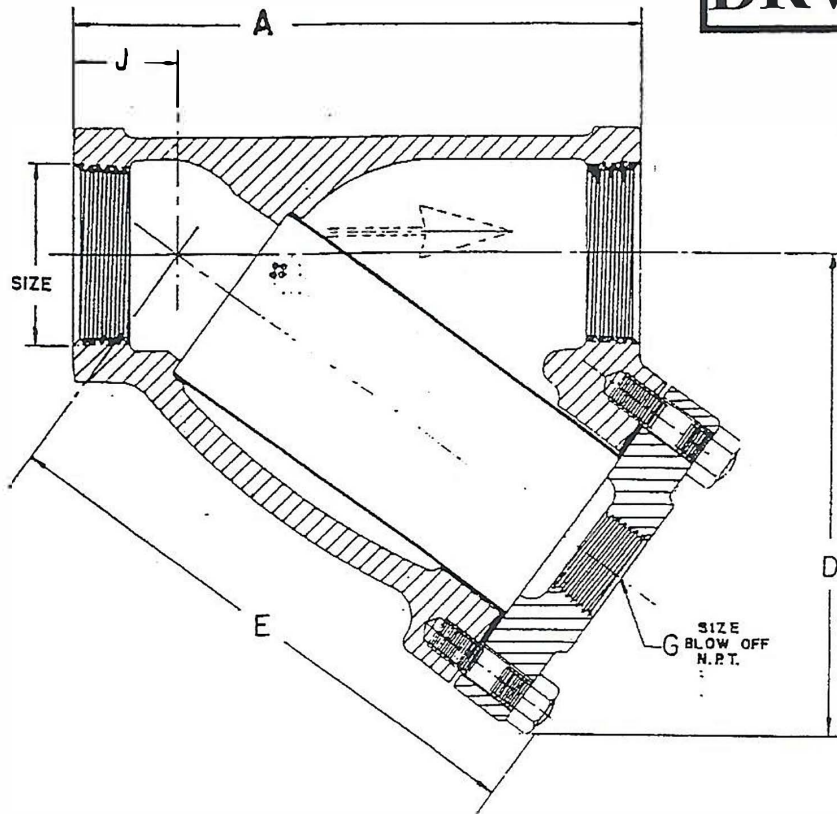


DRWG. NO P-SC-103-DI

PAGET STYLE C 600# THREADED WITH BOLTED COVER



W = WEIGHT

| NPT SIZE | A | D | E | G | J | W |
|-------------|--------|-------|--------|-------|--------|-----|
| 2 | 8 | 6-1/2 | 7 | 1 | 2-1/16 | 19 |
| 2-1/2 | 9 | 8 | 9-1/4 | 1 | 1-5/8 | 31 |
| 3 | 10 | 8-3/4 | 10-1/2 | 1-1/4 | 1-9/16 | 40 |
| 4 | 14-1/4 | 11 | 14-1/2 | 1-1/4 | 1-7/16 | 100 |

| PART NO. | PART NAME | MATERIAL |
|----------|-----------|---------------------|
| SC-103A | BODY | DUCTILE IRON |
| SC-103-B | COVER | DUCTILE IRON |
| SC-103-C | SCREEN | 304 STAINLESS STEEL |
| SC-103-D | GASKET | NON-ASBESTOS |
| SC-103-E | STUDS | STEEL |
| SC-103-F | NUTS | STEEL HEAVY HEX |

RATINGS

NON-SHOCK

600 PSI STEAM AT 450 DEGREES F
1000 PSI WATER-OIL-GAS AT 100 DEGREES F

RECOMMENDED STANDARD SCREENS

| | |
|--------------------------------|--|
| .024" DIA PERF (OR 40 MESH) | STEAM, AIR OR GAS |
| 1/32" DIA PERF (OR 20 MESH) | LIGHT OIL |
| 3/64" DIA PERF | WATER SERVICE |
| 1/16" DIA PERF | AIR CONDITIONING 2" SIZE |
| 1/8" DIA PERF | AIR CONDITIONING SIZES 2-1/2" TO 4" |

PERF SIZES .024" DIA TO .500" DIA
304 STAINLESS

MESH SIZES 20 - 325
304 STAINLESS

316 STAINLESS, BRASS AND MONEL
ARE ALSO AVAILABLE UPON REQUEST



SELF-CLEANING STRAINER CO., INC.
44W480 KESLINGER ROAD
ELBURN IL 60119