

# PAGET STYLE A 125# FLANGED

## DRWG. NO. P-SC-100-CI

### RATINGS

NON-SHOCK

125 PSI STEAM AT 450 DEGREES F  
200 PSI WATER-OIL-GAS AT 100 DEGREES F

### RECOMMENDED STANDARD SCREENS

#### STEAM, AIR OR GAS

.024" DIA PERF 1-1/2" THRU 5"  
(OR 40 MESH)  
1/32" DIA PERF 6" THRU 8"

#### LIGHT OIL

1/32" DIA PERF 1-1/2" THRU 2-1/2"  
(OR 20 MESH)

1/16" DIA PERF 3" THRU 8"

#### WATER SERVICE

3/64" DIA PERF 1-1/2" THRU 5"

1/8" DIA PERF 6" THRU 8"

#### AIR CONDITIONING SERVICE

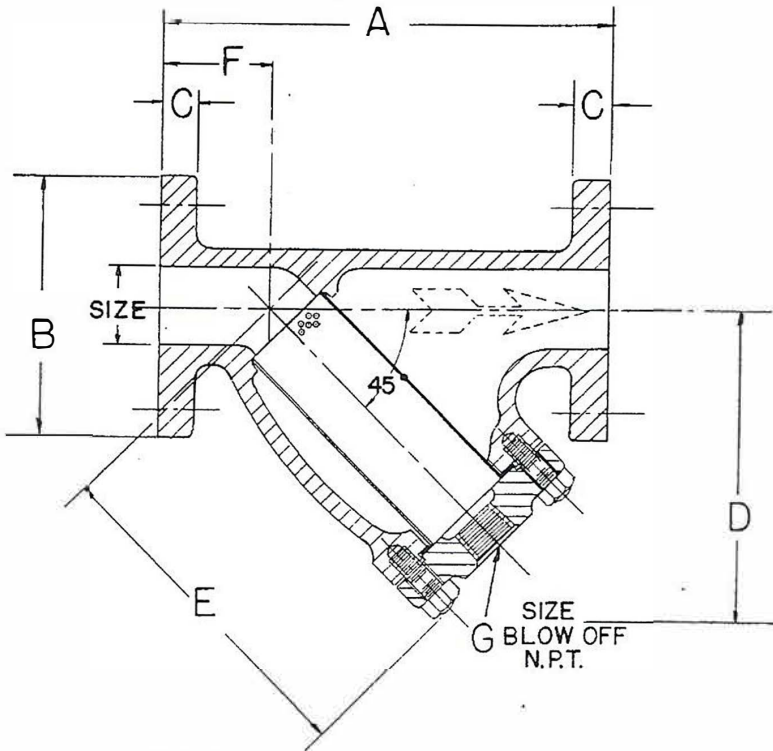
1/16" DIA PERF 1-1/2" THRU 2-1/2"

1/8" DIA PERF 3" THRU 8"

PERF SIZES .024" DIA TO .500" DIA  
304 STAINLESS

MESH SIZES 20 - 325  
304 STAINLESS

316 STAINLESS, BRASS AND MONEL  
ARE ALSO AVAILABLE UPON REQUEST



PART NO.	PART NAME	MATERIAL
SC-100A	BODY	CAST IRON
SC-100-B	COVER	CAST IRON
SC-100-C	SCREEN	304 STAINLESS STEEL
SC-100-D	GASKET	NON-ASBESTOS
SC-100-E	STUDS	STEEL
SC-100-F	STUD NUTS	STEEL-HEAVY HEX

SIZE	A	B	C	D	E	F	G	W	FLANGE DRILLING			
									HOLES	NO.	SIZE	BOLT
												CIRCLE
1-1/2	7-3/8	5	9/16	6-1/4	7	2-1/4	1	17	4	5/8		3-7/8
2	10-3/4	6	5/8	8	8-5/8	2-1/2	1	39	4	3/4		4-3/4
2-1/2	11-7/8	7	11/16	9-1/2	10	2-5/8	1-1/4	47	4	3/4		5-1/2
3	13-1/4	7-1/2	3/4	10-7/8	11-9/16	3	1-1/4	65	4	3/4		6
4	16-1/4	9	15/16	13	14-1/2	3-7/16	1-1/4	122	8	3/4		7-1/2
5	18	10	15/16	15	16-5/8	3-1/2	1-1/2	165	8	7/8		8-1/2
6	20-1/2	11	1	16-1/2	18-1/4	3-7/8	1-1/2	215	8	7/8		9-1/2
8	25	13-1/2	1-1/8	20	21-3/4	5	2	343	8	7/8		11-3/4



SELF-CLEANING STRAINER CO., INC.  
44W480 KESLINGER ROAD  
ELBURN IL 60119