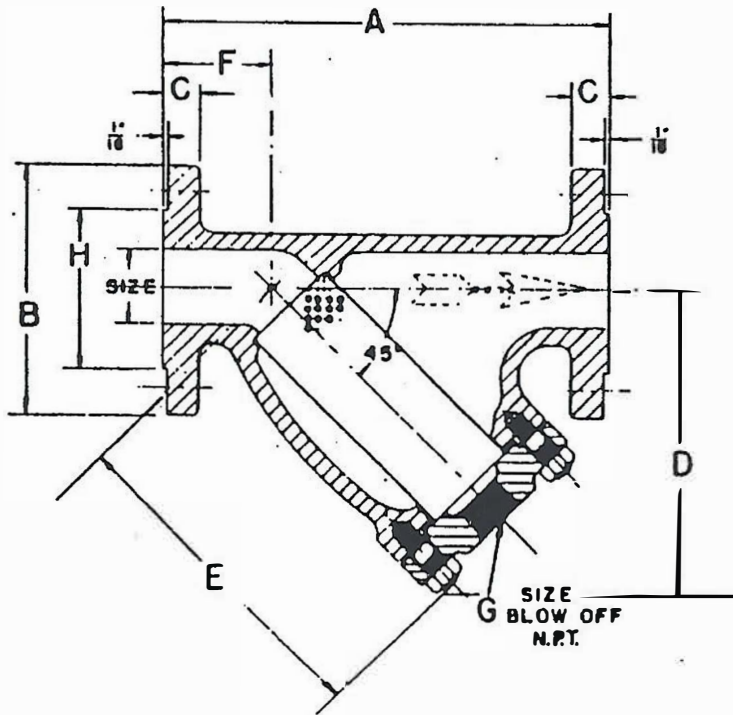


# PAGET STYLE A 250# FLANGED

# DRWG. NO. P-SC-101-CI



### RATINGS

NON-SHOCK

250 PSI STEAM AT 450 DEGREES F.  
400 PSI WATER-OIL-GAS AT 100 DEGREES F

### RECOMMENDED STANDARD SCREENS

#### STEAM, AIR OR GAS

.024" DIA PERF 1-1/2" THRU 4"  
(OR 40 MESH)

1/32" DIA PERF 6"

#### LIGHT OIL

1/32" DIA PERF 1-1/2" THRU 2-1/2"  
(OR 20 MESH)

1/16" DIA PERF 3" THRU 6"

#### WATER SERVICE

3/64" DIA PERF 1-1/2" THRU 6"

#### AIR CONDITIONING SERVICE

1/16" DIA PERF 1-1/2" THRU 2-1/2"

1/8" DIA PERF 3" THRU 6"

PERF. SIZES .024" DIA TO .500" DIA  
304 STAINLESS

MESH SIZES 20 - 325  
304 STAINLESS

316 STAINLESS, BRASS AND MONEL  
ARE ALSO AVAILABLE UPON REQUEST

PART NO.	PART NAME	MATERIAL
SC-101-A	BODY	CAST IRON
SC-101-B	COVER	CAST IRON
SC-101-C	SCREEN	304 STAINLESS STEEL
SC-101-D	GASKET	NON-ASBESTOS
SC-101-E	STUDS	STEEL
SC-101-F	STUD NUTS	STEEL-HEAVY HEX

W = WEIGHT

NPT SIZE	A	B	C	D	E	F	G	FLANGE DRILLING				
								H	W	HOLES NO. SIZE	BOLT CIRCLE	
1-1/2	10-1/2	6-1/8	13/16	6-1/2	6-15/16	2-3/8	1	3-9/16	34	4	7/8	4-1/2
2	11-1/4	6-1/2	7/8	8-3/8	8-7/8	2-3/4	1	4-3/16	45	8	3/4	5
2-1/2	12-1/2	7-1/2	1	9-3/4	10-1/4	2-7/8	1-1/4	4-15/16	56	8	7/8	5-7/8
3	14	8-1/4	1-1/8	10-3/4	11-7/8	3-3/8	1-1/4	5-11/16	77	8	7/8	6-5/8
4	17	10	1-1/4	13-1/4	14-3/4	3-3/4	1-1/4	6-15/16	135	8	7/8	7-7/8
6	21-1/2	12-1/2	1-7/16	17-1/4	18-3/4	4-3/8	1-1/2	9-11/16	262	12	7/8	10-5/8



SELF-CLEANING STRAINER CO., INC.  
44W480 KESLINGER ROAD  
ELBURN IL 60119