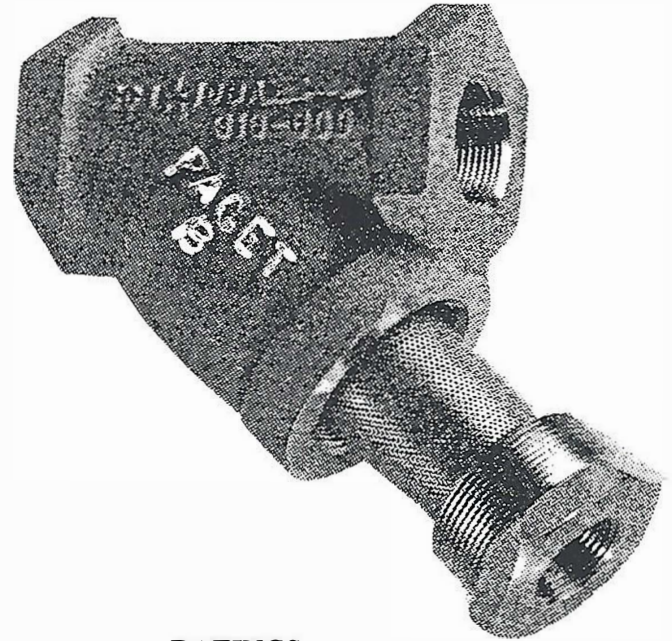
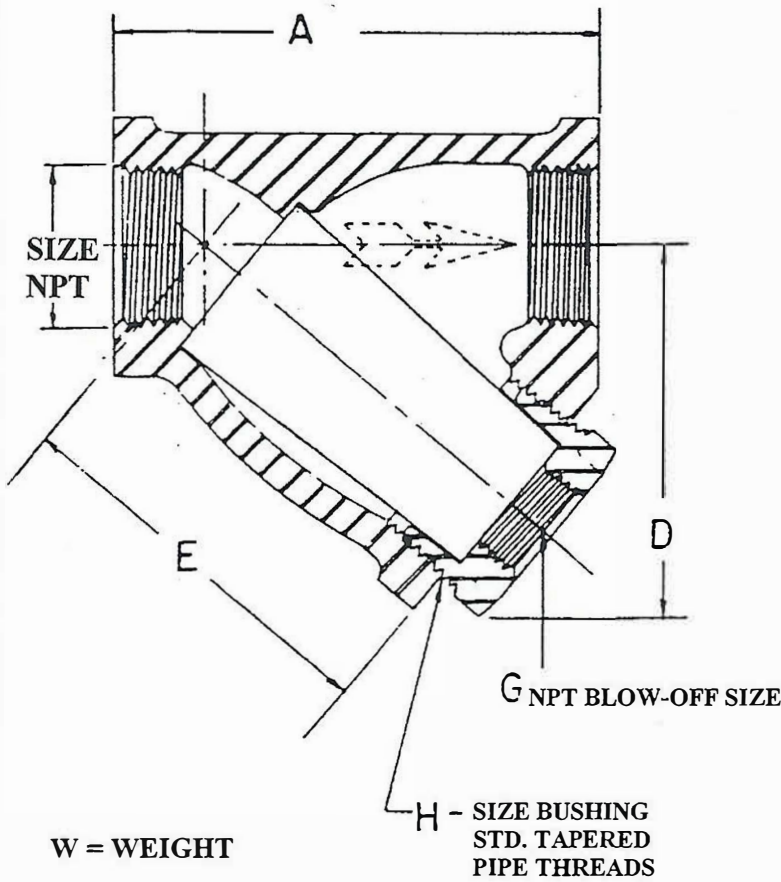


**DRWG. NO. P-SC-108-SS**

**PAGET STYLE B  
600# THREADED**



W = WEIGHT

RATINGS

**NON-SHOCK**

600 PSI STEAM AT 1125 DEGREES F  
1400 PSI WATER-OIL-GAS AT 100 DEGREES F

RECOMMENDED STANDARD SCREENS

.024" DIA PERF STEAM, AIR OR GAS  
(OR 40 MESH)  
1/32" DIA PERF LIGHT OIL  
(OR 20 MESH)  
3/64" DIA PERF WATER SERVICE  
1/16" DIA PERF AIR CONDITIONING

PERFORATION SIZES .024" DIA TO .500" DIA  
304 STAINLESS

MESH SIZES 20 TO 325  
304 STAINLESS

316 STAINLESS, BRASS AND MONEL  
ARE AVAILABLE UPON REQUEST  
AT ADDITIONAL COST

NPT SIZE	A	D	E	G	H	W
1/4	2-1/2	2	2-3/8	3/8	3/4	1
3/8	3-7/8	2-9/16	3-1/4	1/2	1	2
1/2	3-7/8	2-9/16	3-1/4	1/2	1	2
3/4	4	2-3/4	3-1/4	1/2	1	2.75
1	5	3-9/16	3-3/4	3/4	1-1/2	5
1-1/4	5-5/8	4-3/8	4-9/16	1	2	10
1-1/2	5-5/8	4-3/8	4-9/16	1	2	10
2	8	5-9/16	5-7/8	1	2-1/2	18

PART NO.	PART NAME	MATERIAL
SC-108-A	BODY	STAINLESS STEEL
SC-108-B	BUSHING	STAINLESS STEEL
SC-108-C	SCREEN	304 STAINLESS STEEL



SELF-CLEANING STRAINER CO., INC.  
44W480 KESLINGER ROAD  
ELBURN IL 60119