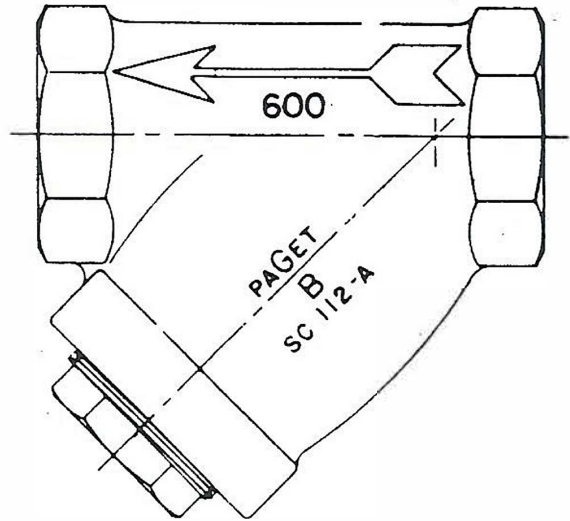
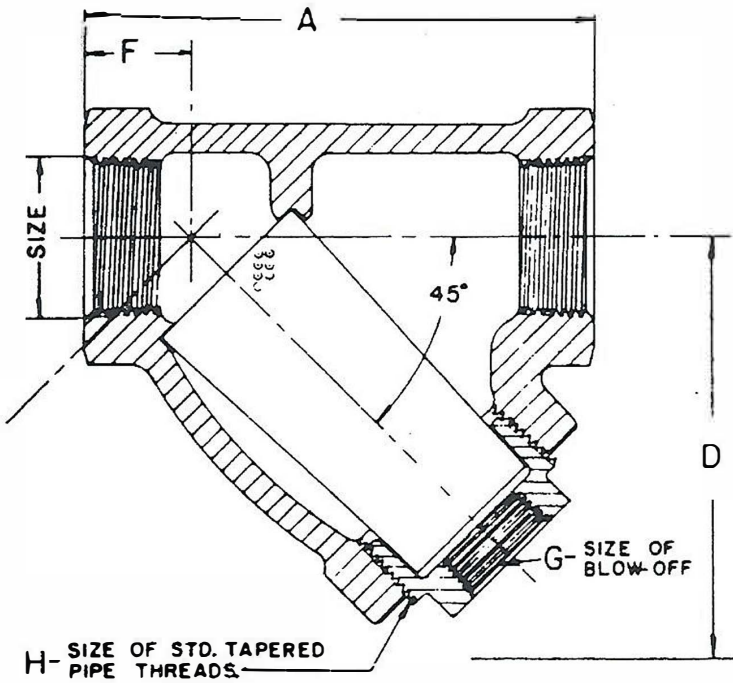


**PAGET STYLE B
600# THREADED**



W = WEIGHT

NPT SIZE	A	D	F	G	H	W
1/4	2-1/2	2	7/16	3/8	3/4	1
3/8	3-1/2	3	5/8	3/8	3/4	2
1/2	3-7/8	3	13/16	1/2	1	2.5
3/4	3-7/8	3	13/16	1/2	1	2.5
1	5	4	1-1/4	3/4	1-1/2	4.5
1-1/4	5-1/2	4-1/2	1-1/4	3/4	1-1/2	7
1-1/2	6	5	1-1/4	1	2	8
2	7-1/4	6-1/8	1-7/16	1	2-1/2	15

RATINGS

NON-SHOCK

600 PSI STEAM AT 450 DEGREES F
1000 PSI WATER-OIL-GAS AT 100 DEGREES F

RECOMMENDED STANDARD SCREENS

.024" DIA PERF (OR 40 MESH)	STEAM, AIR OR GAS
1/32" DIA PERF (OR 20 MESH)	LIGHT OIL
3/64" DIA PERF	WATER SERVICE
1/16" DIA PERF	AIR CONDITIONING

SCREEN MATERIAL

PERF SIZES .024" DIA TO .500" DIA
304 STAINLESS

MESH SIZES 20 - 325
304 STAINLESS

316 STAINLESS, BRASS AND MONEL
ARE ALSO AVAILABLE UPON REQUEST

PART NO.	PART NAME	MATERIAL
SC-112-A	BODY	DUCTILE IRON
SC-112-B	BUSHING	STEEL
SC-112-C	SCREEN	304 STAINLESS STEEL



SELF-CLEANING STRAINER CO., INC.
44W480 KESLINGER ROAD
ELBURN IL 60119